



With its technical superiority, ease of use, excellent ergonomics, handling effectiveness and adaptability the Vector VCE150A has become a class leader amongst Combi trucks.



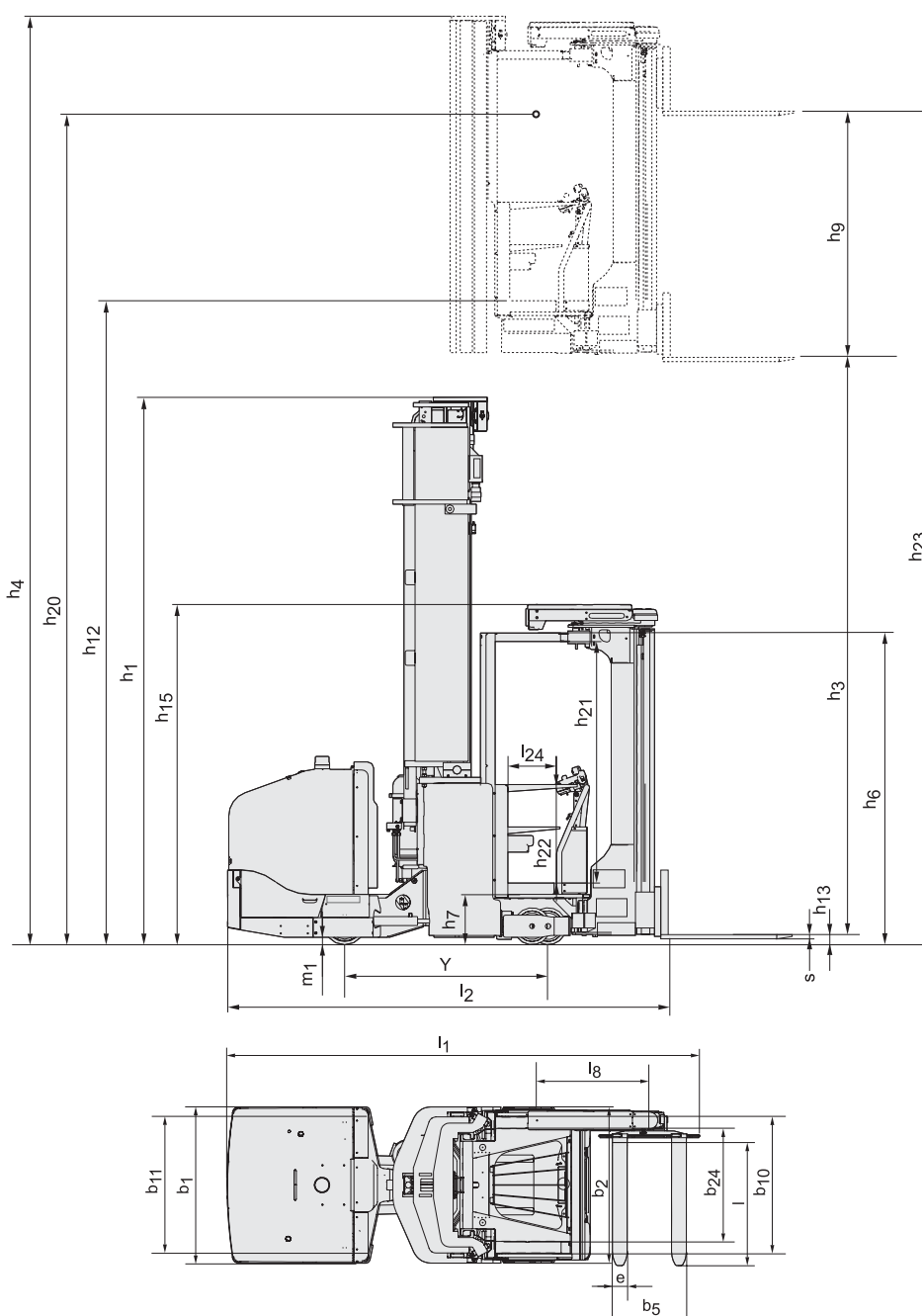
Technical Details		VCE150A
Power unit		electrical, battery
Operating type		stand on/ride on
Rated capacity	kg	1500
Load centre	mm	600
Weight without battery ¹⁾	kg	7600
Wheel type		Vulkollan
Wheel dimension, fork side	mm	Ø 300 x 100
Wheel dimension, drive wheel side	mm	Ø 350 x 128
Number of wheels, fork side		4
Number of wheels, drive wheel side		2
Travel speed, without/with rated load	km/h	12.0/10.0
Service brake		electric
Parking brake		electro-mechanical
Main lifting speed, without/with rated load	m/s	0.45/0.40
Auxiliary lifting speed, without/with rated load	m/s	0.25/0.20
Combined lifting speed, without/with rated load	m/s	0.70/0,60
Main lowering speed, without/with rated load	m/s	0.40/0.40
Auxiliary lowering speed, without/with rated load	m/s	0.30/0.30
Combined lowering speed, without/with rated load	m/s	0.60/0.60
Drive motor rating (S2 60')	kW	2 x 5.5
Lift motor rating (S3 25%)	kW	14.0
Main lift, additional hydro-gas power	kW	7.0
Auxiliary motor rating (S3 20%)	kW	7.6
Battery weight	kg	1790
Battery (5h discharge)	V/Ah	48/1200
Battery (5h discharge)	kWh	57.6
Steering system		electro-hydraulic power steering
Speed control		Variable AC

1) $h_{23} = 10250\text{mm}$

Dimensions, mm		VCE150A
y	Wheel base	1655
b ₁₀	Track width fork side c/c	1008/1158/1258/1358
b ₁₁	Track width rear c/c	1010
h ₉	Auxiliary lift movement	1990/2530
h ₁₃	Height of lowered fork	80
h ₁₅	Height of auxiliary lift mast	2780/3320
l ₁	Total truck length	3846
l ₂	Truck length incl. back of fork	3616
l ₈	Front axle to boom pivot	828-1828
l ₂₄	Entrance width, min./max.	400/620
b ₁	Chassis width, back	1270
b ₂	Chassis width, front	1270/1420/1520/1620
b ₂₄	Cab width	1220-1820
s	Fork thickness	40
e	Fork width	120
l	Fork length (ISO 2A)	600-1800
b ₅	Width across fork	793/1193/1493
m ₁	Floor clearance	60
W _a	Turning radius	1698
h ₆	Height of cab	2544
h ₂₁	Height of cab inside	2062
h ₂₂	Height of cab sides	900
h ₇	Instep height	412

Mast, mm		VCE150A									
h_{12}	Platform height	4100	4700	5300	6050	7400	8600	9800	11000	11600	12650
h_3	Lift movement	3680	4280	4910	5630	6980	8190	9380	10580	11180	12260
h_{20}	Picking height	5700	6300	6900	7650	9000	10200	11400	12600	13200	14250
Standard Auxiliary											
h_{23}	Total lift height ²⁾	5750	6350	6950	7700	9050	10250	11450	12650	13250	14300
h_1	Height of truck, min.	2790	2960	3160	3460	3960	4460	4960	5460	5660	6040
h_4	Height of truck, max.	6540	7140	7740	8490	9840	11040	12240	13440	14040	15090
Optional Auxiliary											
h_{23}	Total lift height ²⁾	—	—	7490	8240	9590	10790	11990	13190	13790	14810
h_1	Height of truck, min.	—	—	3320	3460	3960	4460	4960	5460	5660	6040
h_4	Height of truck, max.	—	—	8280	9000	10380	11580	12780	13980	14580	15630

2) $h_{23} = h_3 + h_9 + h_{13}$



Performance may vary due to motor and system efficiency tolerance and represents nominal values obtained under typical operating conditions.
 BT Products AB products and specifications are subject to change without notice.
 Datas are based on VDI 2198.



- Articulated steering for maximum use of storage space, fast aisle changes and ease of driving.
- Twin drive units and low truck weight gives fast acceleration and quick braking.
- An advanced lift system combines proven regenerative technologies with a unique load balance system.
- A belt-driven turret-head gives faster, smoother and quieter fork traverse movements.
- A clear-view cab lets the operator easily see the forks, load and racking.
- An Integrated Control Panel gives the operator full fingertip control of the truck.
- An optional integrated thin-client computer can replace the graphics display and keypad. Warehouse management systems, customer applications and the truck interface can be worked with using the large 10" touch-screen colour display.



Truck features	VCE150A
Adjustable fork width	S
BT Advanced lifting system (ALS)	S
Elevating platform	S
Wire/rail guidance	O
Controls and instruments	
Electronic height indicator	S
Power/electronic steering	S
Steering direction indicator	S
Sideshift	O
Camera/monitor system	O
Driving features	
Automatic deceleration	S
Electronic braking system	S
Electronic speed control	S
Safety features	
Automatic parking brake	S
BT Optipace system	S
Clear view mast	S
Electronic support arm brakes	O
Drivers compartment features	
Adjustable seat	S
Adjustable steering wheel	S
Low step-in	S
Writing table	O
Maintenance features	
Fault diagnosis facility	S
History fault log	S
Battery management features	
Battery status indicator	S
Battery discharge prevention system	S
Sideways battery change	S
Special applications	
Coldstore version	O

S = Standard feature

O = Optional feature

— = Not available