



## Powered Stacker

Designed for easy operation in shops, factories and small stores the SWE120 is a fully powered stacker with high performance but minimum size. The chassis width is only 800mm which — combined with 208° steering — provides exceptional manoeuvrability.

The truck offers a capacity of 1200kg and a maximum lift height of 4150mm.

- The **comfortable steering arm**, with its modern design, facilitates one hand operation — either left or right hand. The display on the handle gives useful information.
- The **BT POWERDRIVE system**. The unique integration of contactless controls, CAN-Bus communication and a separately excited driving motor gives many advantages. The contactless controls give smooth and effortless driving. The CAN-Bus communication provides quick, reliable transmission and only a few communication cables are needed. The separately excited driving motor allows easy programming of its performance — top speed, acceleration and automatic speed reduction — to suit the application.
- Standard configuration is **electric lift/lowering**. By using a lever the load can also be softly lowered **mechanical**. Very useful by heavy or fragile load.
- **Combined hour meter/battery discharge controller**. Records exact running time of the truck and indicates the status of the battery. Prohibits complete discharge, thereby protecting the battery.
- Choice of having **PIN Code** (up to 10) instead of key. Provides access control. Each code can store individual parameters to meet the driver's skill / environment.
- The castor wheels fully rotate within the profile of the truck ensuring **safety for the operator**, and easy turnings in the tightest situations.
- A **generous compartment** for storing various equipment / personal items.
- Excellent **servicing and fault-finding** with easy access to all components including drive wheel and castor wheels.
- Exceptional **battery power** with capacities available up to 320Ah, with two alternative battery compartments for continuous operation shift after shift.



Technical Details		SWE120
Rated capacity	kg	1200
Load centre	mm	600
Weight without battery	kg	727
Max. axle load drive wheel, without/with rated load	kg	345/345
Max. axle load castor wheel, without/with rated load	kg	350/470
Max. axle load supp.wheels, without/with rated load	kg	270/1350
Castor wheels, Vulkollan	mm	Ø 125x40
Drive wheel, Powerfriction	mm	Ø 215x70
Support arm wheels, bogie or single, Vulkollan	mm	Ø 80x95
Travel speed, without/with 750kg/with rated load	km/h	6,0/6,0/5,3
Lift speed, without/with rated load	m/s	0,19/0,10
Lowering speed, electric, without/with rated load	m/s	0,15/0,19
Lowering speed, mechanical, without/with rated load	m/s	0,15/0,19
Gradient, without/with rated load	%	12/10 <sup>1)</sup>
Service-/parking brake		electromagnetic
Drive motor/Intermittent rating	kW/%	1,2/60
Lift motor/Intermittent rating	kW/%	2,2/5,0
Battery (5h discharge), min./max.	Ah	240/320
Battery weight, min./max.	kg	150/250
Steering system		steering arm
Speed control		BT Powerdrive
Steering arc	°	208

Dimensions, mm		SWE120
x	Back of fork to wheel centre, bogie/single	733/733
y	Wheel base	1309
h <sub>7</sub>	Platform height	150
h <sub>14</sub>	Height of handle in neutral pos.	1365
h <sub>13</sub>	Height of lowered fork	90
l <sub>2</sub>	Truck length incl. fork face, without/with platform up/down	741/834/1207
b <sub>1</sub>	Chassis, width	800
s	Fork thickness	60
e	Fork width	182
l	Fork length	1150/1000
b <sub>5</sub>	Width across fork, min./max.	450/685
m <sub>1</sub>	Floor clearance under mast	25
A <sub>st</sub>	Aisle width, min	2113 <sup>2)</sup>
W <sub>a</sub>	Turning radius, without/with platform up/down	1479/1580/1955

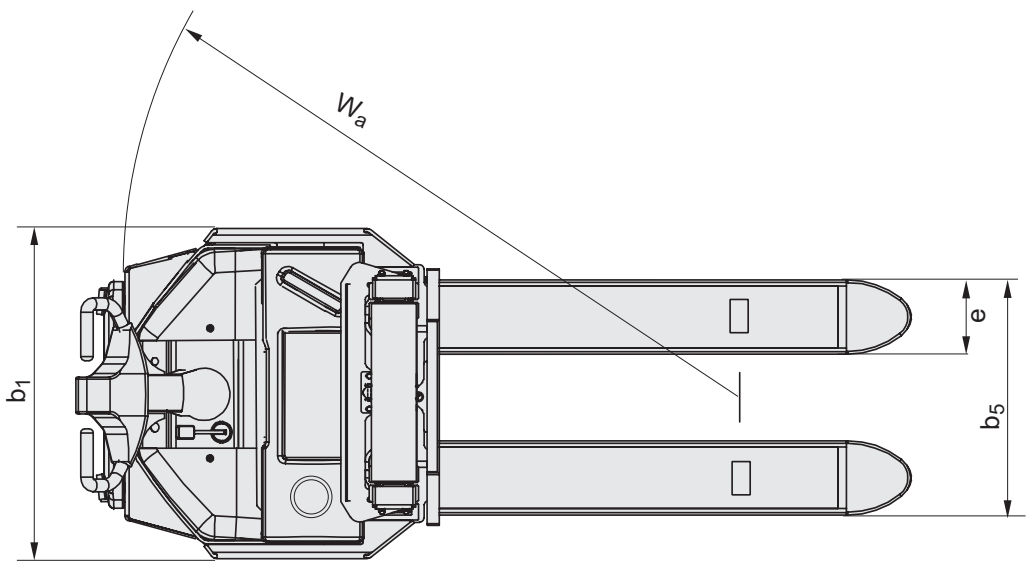
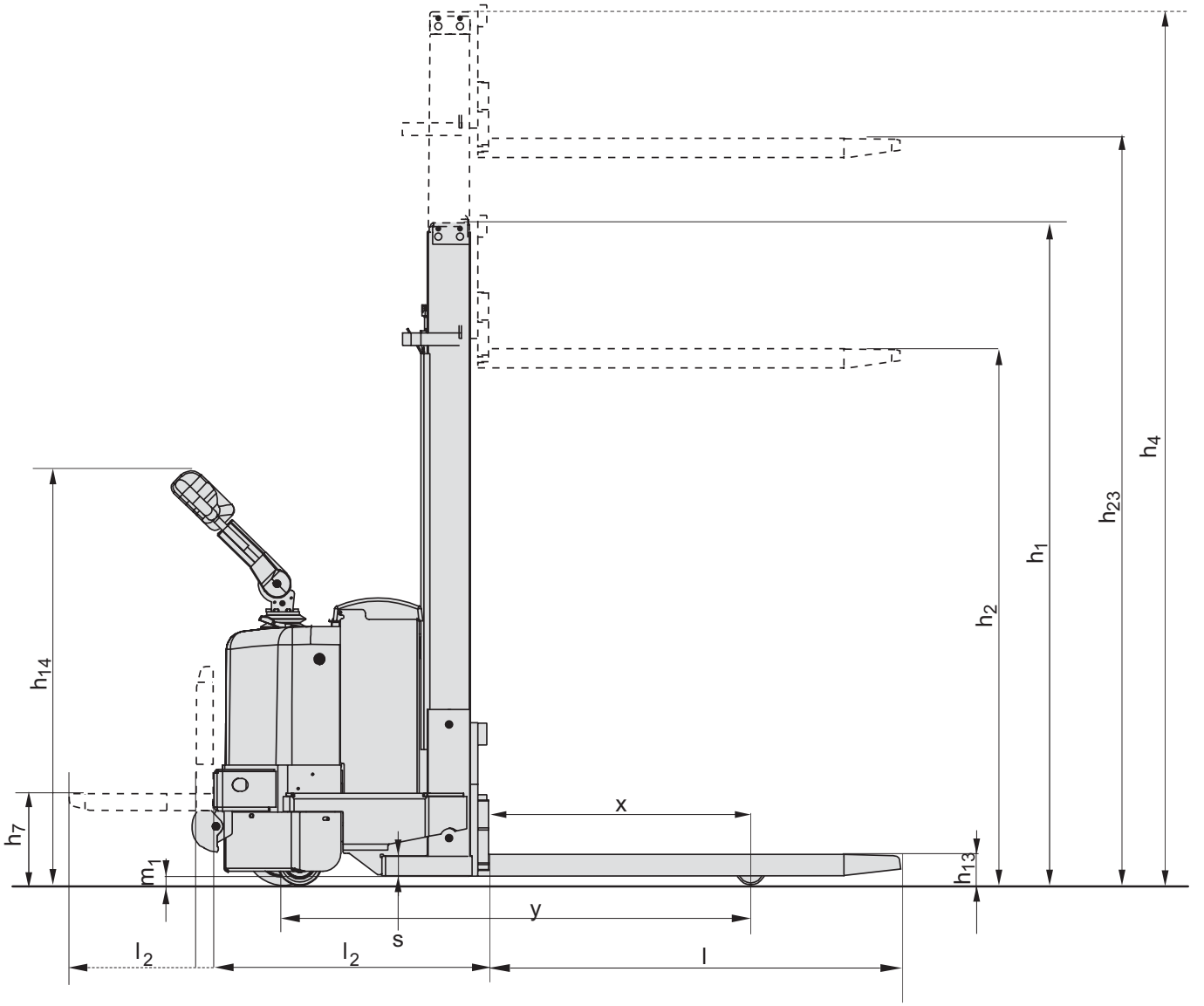
Mast, mm		Simplex		Duplex Tele				Duplex Hi-Lo				
<b>h<sub>23</sub></b>	<b>Total lift height</b>	<b>1400</b>	<b>1700</b>	<b>2700</b>	<b>2900</b>	<b>3300</b>	<b>3700</b>	<b>2700</b>	<b>2900</b>	<b>3300</b>	<b>3700</b>	<b>4150</b>
h <sub>1</sub>	Height of mast, min.	1820	2125	1839	1945	2144	2344	1839	1945	2144	2344	2569
h <sub>2</sub>	Free lift	1400	1700	160	160	160	160	1400	1500	1700	1900	2125
h <sub>4</sub>	Height of mast, max.	1820	2125	3110	3320	3720	4120	3110	3320	3720	4120	4570

1) Due to motor characteristics. Please ask technical support regarding driving on ramps and gradients

Data is based on l=1150mm, h23 =3300mm, without platform

2) Platform up/down = + 101mm resp. 476mm

Performance may vary due to motor and system efficiency tolerance and represents nominal values obtained under typical operating conditions.  
BT Products AB products and specifications are subject to change without notice.  
All data is based on VDI 2198.





## Options

- **Load support**

To provide additional safety for load and operator.

- **Built-in charger**

The additional feature of a built-in charger placed in front of the electrical panel. Does not reduce the battery capacity.

- **Turtle button**

Comfortable placed on the steering arm. An on/off function for slower speed. Programmable from 40% up to 100%.

- **Integrated spring loaded and foldable platform**

The platform is spring loaded to reduce vibrations on uneven surfaces. The platform also improves driver safety.



BT  
 SE-595 81 Mjölby Sweden  
 Tel: +46 (0)142 860 00  
 Fax: +46 (0) 142 866 00  
 Email: [info@bt-forklifts.com](mailto:info@bt-forklifts.com)  
[www.bt-forklifts.com](http://www.bt-forklifts.com)



*Handling innovation*