



Four-way Reach Truck

FREFLEX AC is a new 4-way reach truck which provides the combined benefits of advanced design and AC power for applications which require long-load handling, as well as the ability to handle conventional pallets in confined situations.

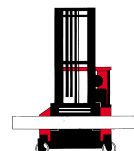
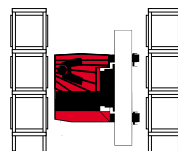
FREFLEX AC offers 2.700kg handling capacity and the fork width is hydraulically adjustable.

FREFLEX AC trucks are developed from the world-leading REFLEX AC range and incorporate many advanced features.

- The direction of the truck is determined by rotation of the turnable support arm wheel, which enables the truck to travel forwards, backwards or sideways — which means that it can operate as a side loader. This remarkable level of manoeuvrability is further enhanced by electronic and progressive 360° steering for the main drive wheel.
- Three push-buttons located on the dashboard allow easy selection of performance parameters. Standard set-up choices available.
- The driver compartment is fully adjustable to provide a comfortable driving position, with a clear view of the handling process.
- Two different hydraulic fork spreaders available. Over support arms — ranging from 540mm up to 2160mm — and between support arms, ranging from 400mm up to 960mm.
- The turnable support arm wheel on FR series trucks may be turned through 90°, thereby changing the direction of travel.
- Drive and castor wheels are built on a cross-mounted bogie to allow traction on uneven floors.
- AC power means exceptional performance levels, combined with reduced energy consumption and lower service and maintenance requirements, due to fewer components and the absence of major wear items such as carbon brushes and traditional brake pads.
- The braking system is electronic, progressive and regenerates energy to the battery. It can also be programmed to suit driver preferences.

Options

- **Electronic height indicator**
- **Electronic height pre-selector**
- **Rear-view mirror**
- **Sideshift**
Only available together with fork spreader between support arms.

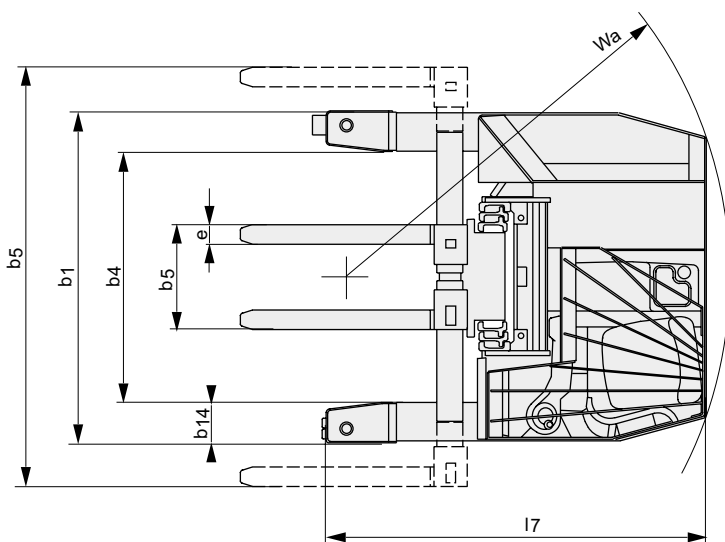
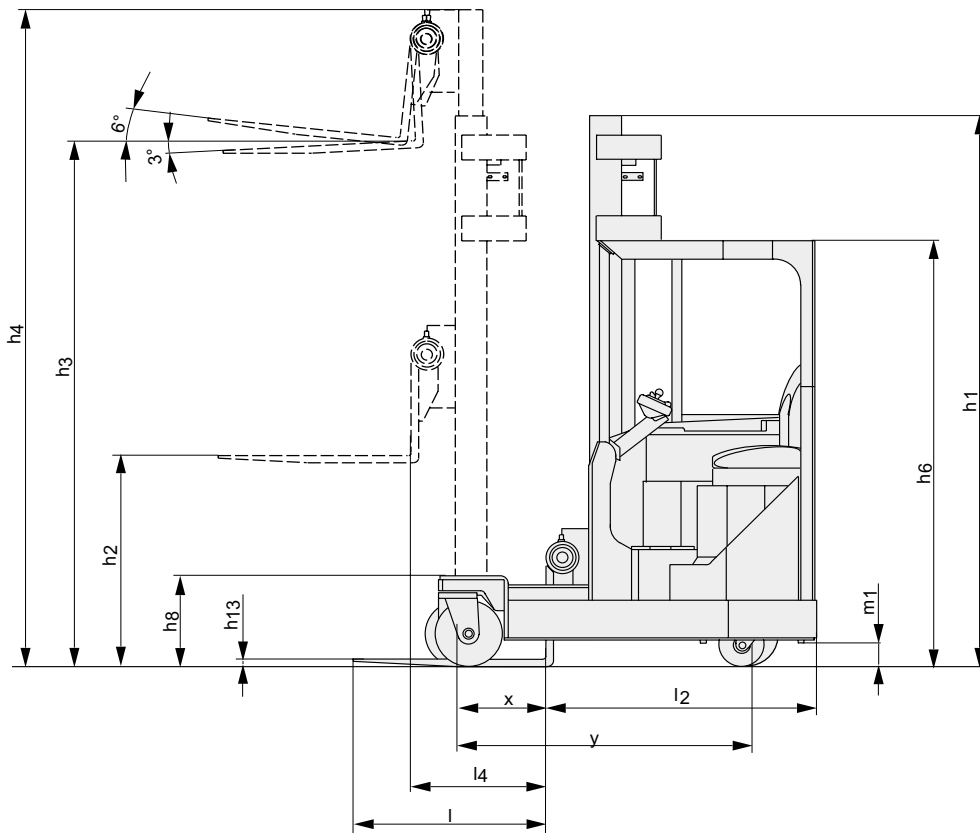


Technical Details		FR 2.7 a	FR 2.7 b
Power unit		electrical, battery	electrical, battery
Rated capacity/load centre	kg/mm	2700/400 2500/500 2250/600	2700/400 2700/500 2700/600
Fork positioning		hydraulic	hydraulic
Weight without battery, (h ₃ =6300 mm)		3370	3370
Max. axle pressure fork wheel side, without/with rated load	kg	1315/4335	1315/4335
Max. axle pressure drive wheel side, without/with rated load	kg	3490/3220	3490/3220
Wheel type		polyurethane	polyurethane
dimension, support arm wheels	mm	Ø 350	Ø 350
dimension, drive wheel	mm	Ø 350	Ø 350
dimension, castor wheels	mm	Ø 230	Ø 230
Travel speed, without/with rated load	m/s	2.2/2.2	2.2/2.2
Service brake			electrical
Parking brake			autom. electr. magnetic
Lift speed, without/with rated load	m/s	0.44/0.25	0.44/0.25
Lowering speed, without/with rated load	m/s	0.38/0.33	0.38/0.33
Gradient, without/with rated load	%	12/7	12/7
Drive motor/Intermittent rating	kW/%	7.5/60	7.5/60
Lift motor/Intermittent rating	kW/%	14/15	14/15
Battery weight	kg	1150	1150
Battery (5h discharge)	V/Ah	48/750	48/750
Steering system			electronic power steering
Speed control			transistor, stepless

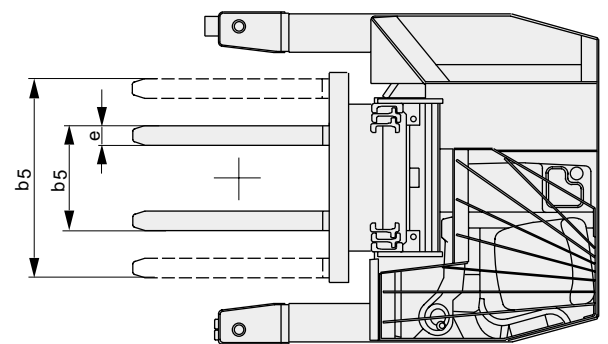
Dimensions, mm		FR 2.7 a	FR 2.7 b
x	Front axle to fork front face	450	450
y	Wheel base	1514	1514
h ₈	Height of support arm	480	480
h ₁₃	Height of lowered fork	45	45
l ₂	Truck length incl. back of fork	1460	1460
b ₁	Chassis, width	1710	1710
l	Fork length	700/1000/1150	700/1000/1150
e	Fork width	100	125
b ₅	Width across fork, min./max.	540/2160	400/960
b ₄	Width between support arms	1295	1295
b ₁₄	Width of support arm	205	205
l ₄	Reach movement	700	700
m ₁	Floor clearance	115	115
W _a	Turning radius	1988	1988
l ₇	Truck length excl. fork	1960	1960
h ₆	Height of cab	2260	2260

Performance may vary due to motor and system efficiency tolerance and represents nominal values obtained under typical operating conditions.
BT Products AB products and specifications are subject to change without notice.

Mast, mm		FR 2.7									
h_3	Lift height Duplex Hi-Lo	4150	4500	4800	5400	5700	6300	6700	7000	7500	8000
h_1	Height of mast, min.	2920	3100								
h_2	Free lift	2050	2230								
h_4	Height of mast, max.	4980	5330								
	Triplex Hi-Lo										
h_1	Height of mast, min.			2450	2650	2750	2950	3180	3280	3550	3710
h_2	Free lift			1587	1787	1887	2087	2320	2420	2687	2853
h_4	Height of mast, max.			5620	6220	6520	7120	7520	7820	8330	8820



a Fork spread over support arms



b Fork spread between support arms



BT Europe AB, SSD, Sweden — 747600-040, 0002



The product complies with
the EC-directives



BT Industries

Developed and produced by
BT Products AB



SS-EN ISO 9001, No. 003
ISO 14001, No. M005

BT Industries AB
[HTTP://www.bt-industries.com](http://www.bt-industries.com)